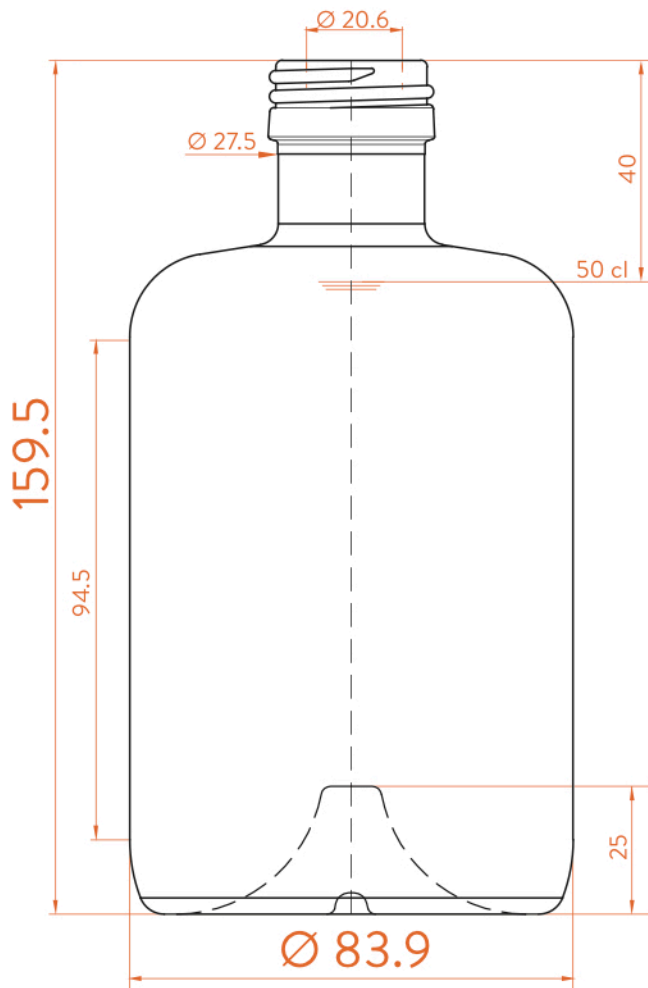


PHARMA[®]



Modelo registrado/
Registered model/
Modèle enregistré



EXTRA FLINT



DATOS TÉCNICOS TECHNICAL DATA DONNÉES TECHNIQUES

Peso / Weight / Poids	390 gr
Altura total / Total height / Hauteur totale	159,5mm
Diámetro del cuerpo / Body diameter / Diamètre du corps	83,9 mm
Ø interno boca / Ø inner mouth / Ø intérieur bouche	20,6 mm
Capacidad a verter / Brimfull / Capacité Ras-Bord	520 ml

50 cl

At first the PHARMA range is proposed in 10, 20, 37.5, 50, 70 and 75 cl.
Following business opportunities, other sizes - from miniature 5 cl to big sizes 300 cl will be added to the range.

The elements detailed in this document are not contractual. They are only indicative.